

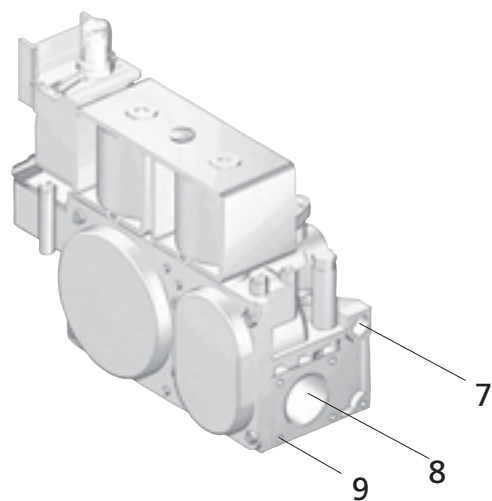
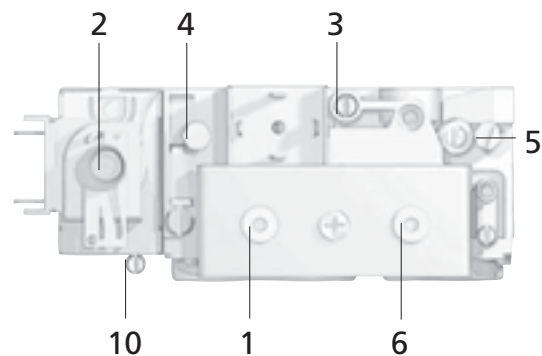
836-837 TANDEM

MAIN FEATURES

- Electric modulator of the gas outlet pressure: stepped (836 TANDEM) or continuous (837 TANDEM).
- Two near-silent automatic shut-off valves in class B (class A on request).
- Servo-controlled pressure regulator.
- Pilot outlet (optional) with gas flow restrictor.
- Inlet and pilot filters.
- Inlet and outlet pressure test points.
- Threaded gas inlet and outlet with provision for flange connection.
- Connection for pressure regulator/combustion chamber compensation.

DESCRIPTION

- 1 On-off solenoid valve EV1
- 2 Gas outlet pressure modulator
- 3 Adjustment screw for gas flow to the pilot
- 4 Inlet pressure test point
- 5 Outlet pressure test point
- 6 On-off solenoid valve EV2
- 7 Pilot outlet
- 8 Main gas outlet
- 9 Holes (M5) for fixing flanges
- 10 Connection for pressure regulator/combustion chamber compensation



CODES

836 TANDEM

| Codes | Ambient Temperature range [°C] | EV Electric supply | EV Class | Modulator Electric supply | Pressure Regulator range [mbar] | Adj. Step opening range (seconds) | Pilot outlet | Maximum gas inlet pressure [mbar] |
|---------|--------------------------------|--------------------|----------|---------------------------|---------------------------------|-----------------------------------|--------------|-----------------------------------|
| 0836010 | 0÷60 | 220/240 V - 50 Hz | B | 230 V RAC | 2-50 | / | No | 60 |
| 0836011 | 0÷60 | 220V - 60 Hz | B | 220 V RAC | 2-50 | / | No | 60 |
| 0836016 | 0÷60 | 230/240 V - 50 Hz | A | 230 V RAC | 2-50 | / | No | 60 |
| 0836017 | 0÷60 | 220/240 V - 50 Hz | B | 240 V RAC | 2-37 | / | No | 60 |
| 0836018 | 0÷60 | 220/240 V - 50 Hz | | 240 V RAC | 2-37 | / | Yes | 60 |
| 0836019 | 0÷60 | 220/240 V - 50 Hz | B | 230 V RAC | 6-50 | 7-12 | No | 60 |
| 0836021 | -20÷60 | 220/240 V - 50 Hz | B | 230 V RAC | 6-50 | 7-12 | Yes | 60 |
| 0836022 | 0÷60 | 220/240 V - 50 Hz | | 240 V RAC | 2-37 | / | No | 60 |

(*) Without minimum screw

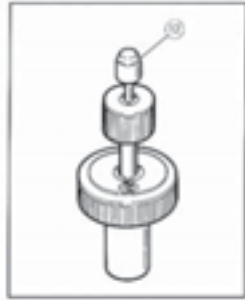
P Plugged (0972041)

837 TANDEM

| Codes | Ambient Temperature range [°C] | EV Electric supply | EV Class | Modulator Electric supply | Pressure Regulator range [mbar] | Adj. Step opening range (seconds) | Pilot outlet | Maximum gas inlet pressure [mbar] |
|---------|--------------------------------|---------------------------|----------|---------------------------|---------------------------------|-----------------------------------|--------------|-----------------------------------|
| 0837010 | 0÷60 | 220/240 V - 50 Hz | B | 16 V DC 310 mA | 2-18 | / | No | 50 |
| 0837011 | 0÷60 | 220/240 V - 50 Hz | B | 16 V DC 310 mA | 3-37 | / | No | 50 |
| 0837013 | 0÷60 | 220/240 V - 50 Hz | B | 28 V DC 165 mA | 3-37 | / | No | 50 |
| 0837019 | 0÷60 | 24 V - 60 Hz | B | 28 V DC 165 mA | 3-37 | / | No | 50 |
| 0837023 | 0÷60 | 220/240 V - 50 Hz | B | 28 V DC 165 mA | 2-20 | / | No | 50 |
| 0837024 | 0÷60 | 220/240 V - 50 Hz | B | 28 V DC 165 mA | 3-37 | / | No | 50 |
| 0837025 | 0÷60 | 220/240 V - 50 Hz | B | 28 V DC 165 mA | 3-37 | / | Yes | 50 |
| 0837029 | 0÷60 | 220/240 V - 50 Hz | B | 28 V DC 165 mA | 2-20 | / | P | 50 |
| 0837033 | 0÷60 | 220/240 V - 50 Hz | B | 28 V DC 165 mA | 2-18 | / | No | 50 |
| 0837034 | 0÷60 | 24 V - 50 Hz (Low Energy) | B | 28 V DC 165 mA | 1.5-25 | / | No | 50 |
| 0837035 | 0÷60 | 24 V - 50 Hz (Low Energy) | B | 28 V DC 165 mA | 2.5-37 | / | No | 50 |
| 0837038 | 0÷60 | 220/240 V - 50 Hz | B | 28 V DC 165 mA | 3-37 | / | P | 50 |
| 0837100 | 0÷60 | 120 V - 60 Hz | B | 16 V DC 310 mA | 3-37 | / | No | 50 |
| 0837301 | -20÷60 | 220/240 V - 50 Hz | B | 16 V DC 310 mA | 2-20 | / | No | 50 |
| 0837302 | -20÷60 | 220/240 V - 50 Hz | B | 16 V DC 310 mA | 3-37 | / | No | 50 |
| 0837303 | -20÷60 | 220/240 V - 50 Hz | B | 28 V DC 165 mA | 3-37 | / | No | 50 |
| 0837304 | -20÷60 | 24 V - 60 Hz (Low Energy) | B | 28 V DC 165 mA | 2÷25 | / | No | 50 |
| 0837305 | -20÷60 | 220/240 V - 50 Hz | B | 16 V DC 310 mA | 2-18 | / | No | 50 |

(*) Without minimum screw

P Plugged (0972041)



SPARE PARTS

| N. | Code | Description | Q.ty | N. | Code | Description | Q.ty |
|----|-----------|---|------|----|-----------|---|------|
| A1 | 0.967.090 | 220 V, 50 Hz solenoid (black color) | 5 | B2 | 0.967.135 | 220 V modulating solenoid, rectified AC (836) | 5 |
| A2 | 0.967.091 | 24 V, 50 Hz solenoid (grey color) | 5 | B3 | 0.967.139 | 24 V modulating solenoid, rectified AC (836) | 10 |
| A3 | 0.967.129 | 220 V, 50 Hz solenoid class A, (violet color) | 10 | B4 | 0.967.138 | 16 V modulating solenoid (837) | 5 |
| A4 | 0.967.131 | 24 V, 50 Hz solenoid class A (orange color) | 10 | B5 | 0.967.140 | 240 V modulating solenoid (837) | 10 |
| B1 | 0.967.097 | 28 V modulating solenoid (837) | 5 | | | | |

ACCESSORIES

| N. | Code | Description | Q.ty | N. | Code | Description | Q.ty |
|----|-----------|--|------|----|-----------|---|------|
| 1 | 0.906.265 | Rp 1/2" elbow flange with O-ring and screws | 10 | 7b | 0.958.063 | Vent nut connection (ø 5 mm) | 100 |
| 2 | 0.906.266 | Rp 1/2" straight flange with O-ring and screws | 100 | 8a | 0.960.107 | Plug and lead L = 1,000 mm | 10 |
| 3 | 0.925.028 | O-ring for flange | 100 | 8b | 0.960.112 | Plug and lead L = 260 mm | 20 |
| 4 | 0.957.008 | ø 16 mm olive | 10 | 8c | 0.960.114 | Tandem plug and lead L = 600 mm | 10 |
| 5 | 0.958.027 | ø 16 mm tube nut | 10 | 9 | 0.960.108 | Gasket and screw | 10 |
| 6a | 0.958.030 | ø 4 mm pilot tube shear-off | 10 | 10 | 0.960.118 | Step modulator plug gasket + screw L = 1,000 mm (836) | 5 |
| 6b | 0.958.031 | ø 6 mm pilot tube shear-off | 10 | 11 | 0.972.041 | Plug for the pilot outlet (M10x1 with O-ring) | 10 |
| 6c | 0.958.032 | ø 1/4" pilot tube shear-off | 10 | 12 | 0.999.994 | Min-max modulator adjusting tool | 5 |
| 7a | 0.958.059 | Vent nut connection (ø 6 mm) | 10 | | | | |

Distribuator: CALOR SRL
Str. Progresului nr. 30-40, sector 5, Bucuresti
tel: 021.411.44.44, fax: 021.411.36.14
www.calorserv.ro - www.calor.ro

Subject to change without notice